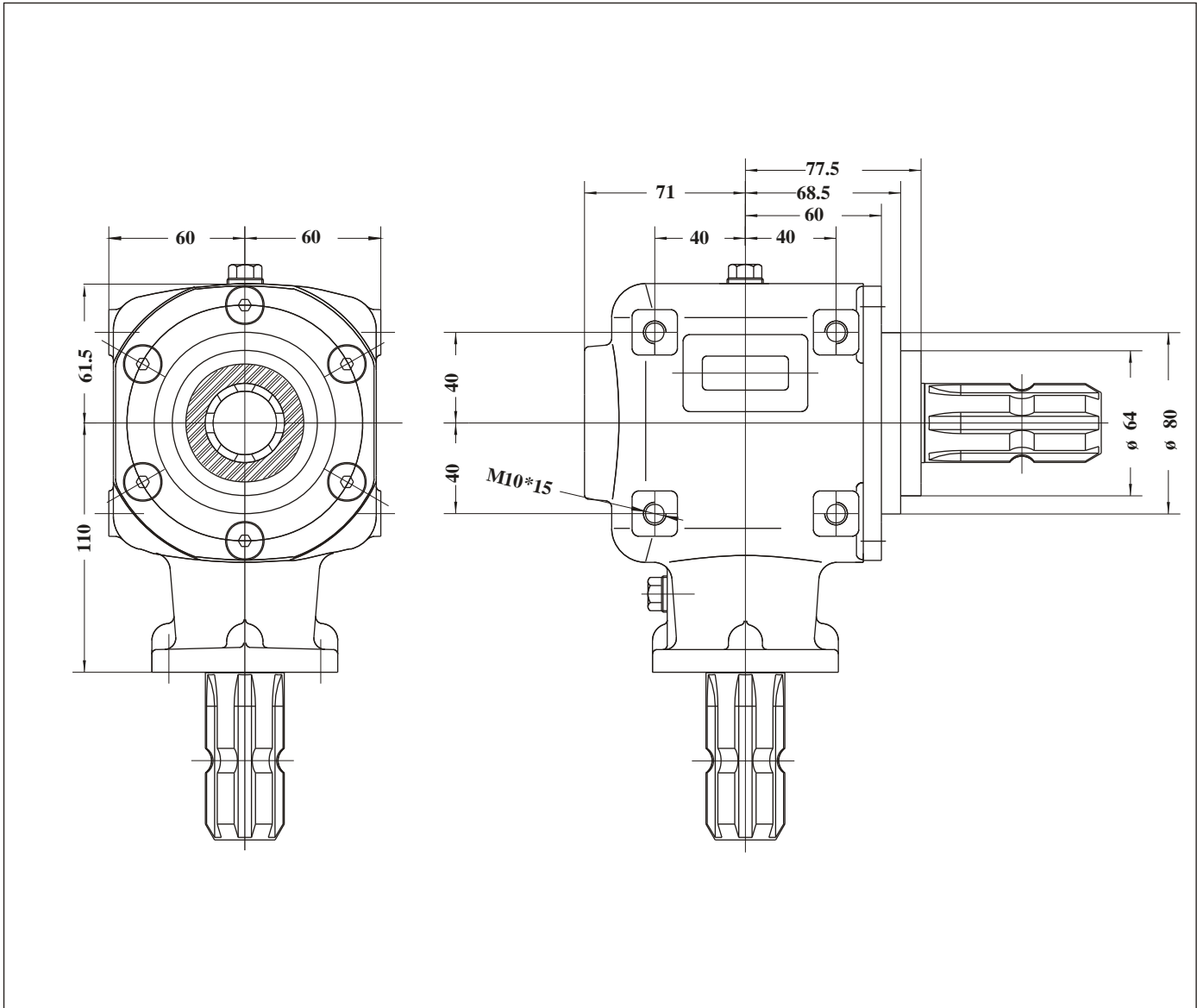
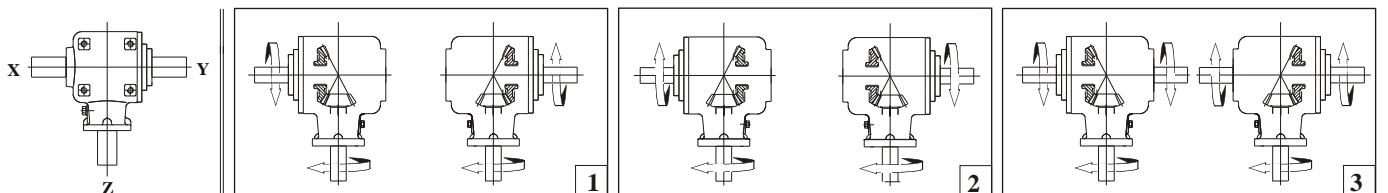


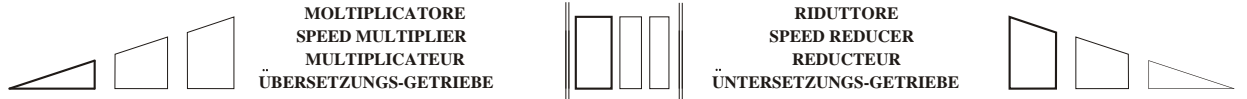
DIMENSIONI - DIMENSION - DIMENSIONS - BAUGROSSEN



	MASSA MASS MASSE	Kg,9
	LUBRIFICANTE LUBRICANT LUBRIFIANT SCHMIERSTOFF	SAE 90 EP 0.5 Lt.

CONFIGURAZIONI - CONFIGURATION - CONFIGURATIONS - BAUFORMEN





Rapporto Ratio Rapport Übers.-verh.	1:4.5	1:3.08	1:2.76	1:1.92	1:1.35	1:1	1.35:1	1.92:1	2.76:1	3.08:1	4.50:1
Giri - r.p.m. U/min	540 1000	540 1000	540 1000	540 1000	540 1000	540 1000	540 1000	540 1000	540 1000	540 1000	540 1000
Kw	- -	- -	7 10	11 18	15 23	16 19	12 18	7 11	3 5	- -	- -
HP	- -	- -	10 14	15 24	20 31	22 28	16 24	9 15	5 7	- -	- -
DaNm	- -	- -	13 10	11 17	27 22	24 18	22 17	12 11	6 5	- -	- -

DURATA STIMATA A 540 giri/min - ESTIMATED LIFE AT 540 rpm - DUREE DE VIE ESTIMEE A 540 Tours/m - LEBENSDAUER ca. 540 U/min

