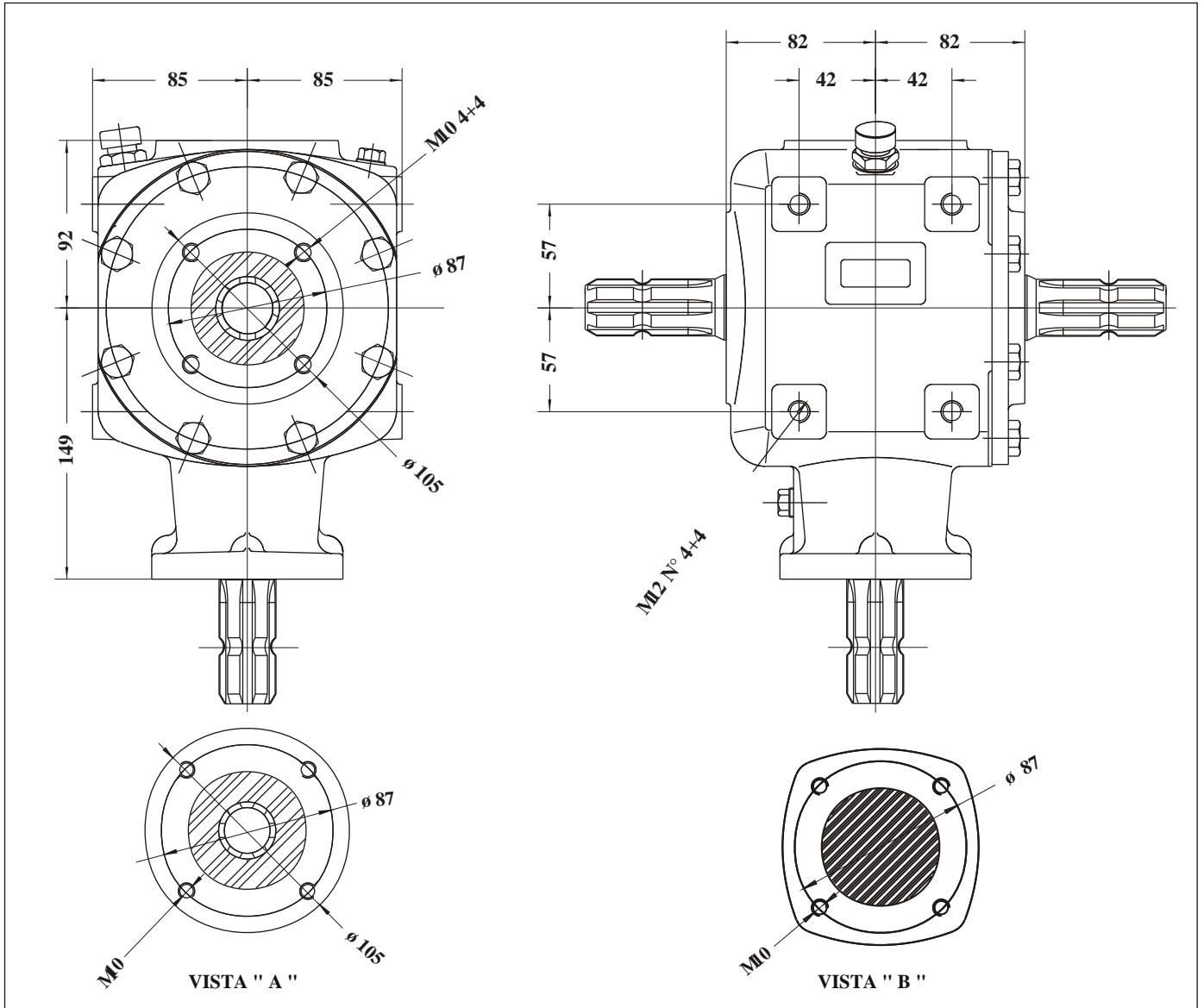


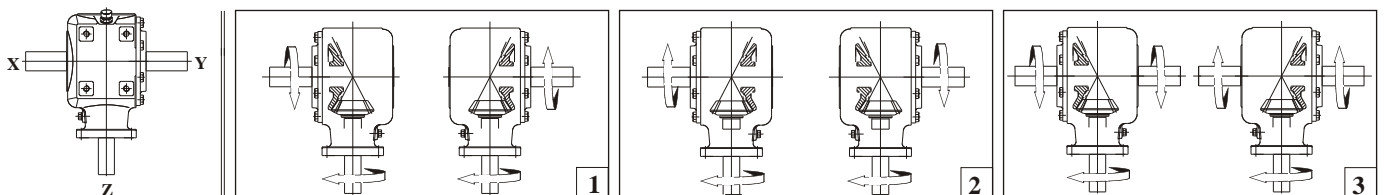


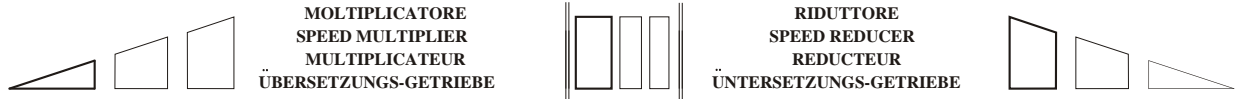
DIMENSIONI - DIMENSION - DIMENSIONS - BAUGROSSEN



	MASSA MASS MASSE	Kg.16
	LUBRIFICANTE LUBRICANT LUBRIFIANT SCHMIERSTOFF	SAE 90 EP 1 Lt.

CONFIGURAZIONI - CONFIGURATION - CONFIGURATIONS - BAUFORMEN





Rapporto Ratio Rapport Übers.-verh.	1:3.84		1:3.08		1:2.58		1:1.92		1:1.6		1:1	1.6:1		1.92:1		2.58:1		3.08:1		3.84:1		
Giri - r.p.m. U/min	540	1000	540	1000	540	1000	540	1000	540	1000	540	1000	540	1000	540	1000	540	1000	540	1000	540	1000
Kw	27	42	22	35	27	42	38	59	47	72	-	-	33	52	24	37	13	21	10	15	10	15
HP	37	58	31	48	37	57	52	81	65	98	-	-	45	71	33	50	18	29	14	21	13	21
DaNm	50	41	41	34	50	41	69	58	85	70	-	-	59	51	43	36	24	21	18	15	18	15

▲ Elicoidale - Helicoidal - Helicoidale - spiralverzahnung

DURATA STIMATA A 540 giri/min - ESTIMATED LIFE AT 540 rpm - DUREE DE VIE ESTIMEE A 540 Tours/m - LEBENSDAUER ca. 540 U/min

