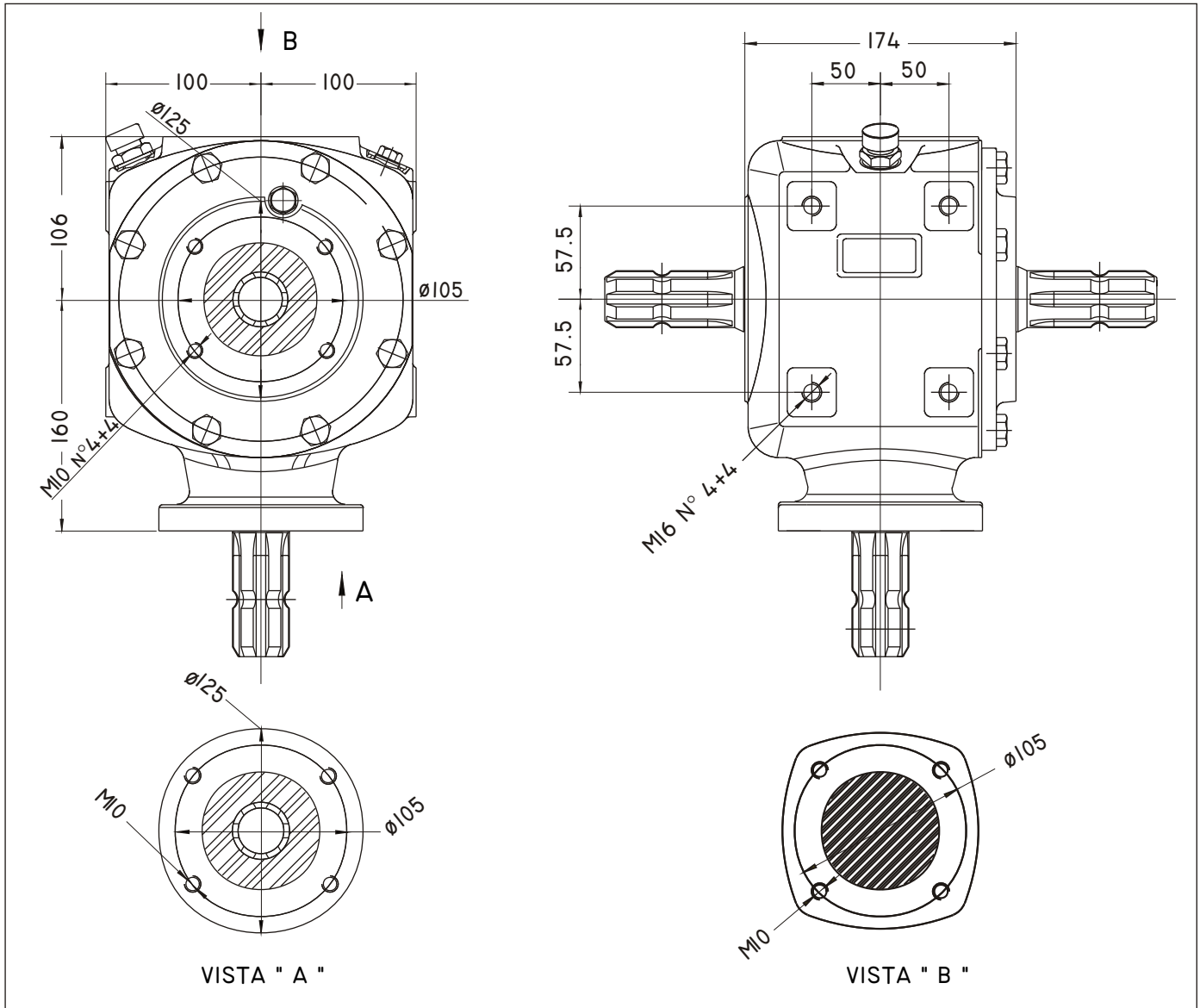


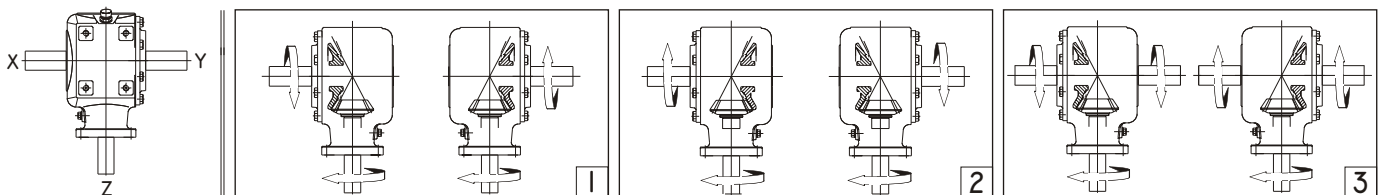
# RS24

DIMENSIONI - DIMENSION - DIMENSIONS - BAUGRÖSSEN

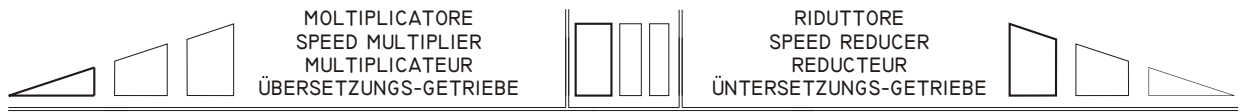


	MASSA MASS MASSE	Kg.25
	LUBRIFICANTE LUBRICANT LUBRIFIANT SCHMIERSTOFF	SAE 90 EP 1.5 LT.

CONFIGURAZIONI - CONFIGURATION - CONFIGURATIONS - BAUFORMEN



PRESTAZIONI - PERFORMANCES - LEISTUNGEN



RAPPORTO RATIO RAPPORT ÜBERS.-VERH.	1:4.50	1:3.08	1:2.58	1:1.92	1:1.60	1:1	1.60:1	1.92:1	2.50:1	3.08:1	4.50:1
GIRI - R.P.M. U/MIN	540 1000	540 1000	540 1000	540 1000	540 1000	540 1000	540 1000	540 1000	540 1000	540 1000	540 1000
Kw	- -	44 66	55 84	61 90	70 99	- -	40 63	36 57	29 43	16 29	- -
HP	- -	60 90	75 114	83 123	91 135	- -	55 86	50 78	39 58	26 40	- -
DANM	- -					- -					- -

DURATA STIMATA A 540 GIRI/MIN - ESTIMATED LIFE AT 540 RPM - DUREE DE VIE ESTIMEE A 540 TOURS/M - LEBENSDAUER CA. 540 U/MIN

